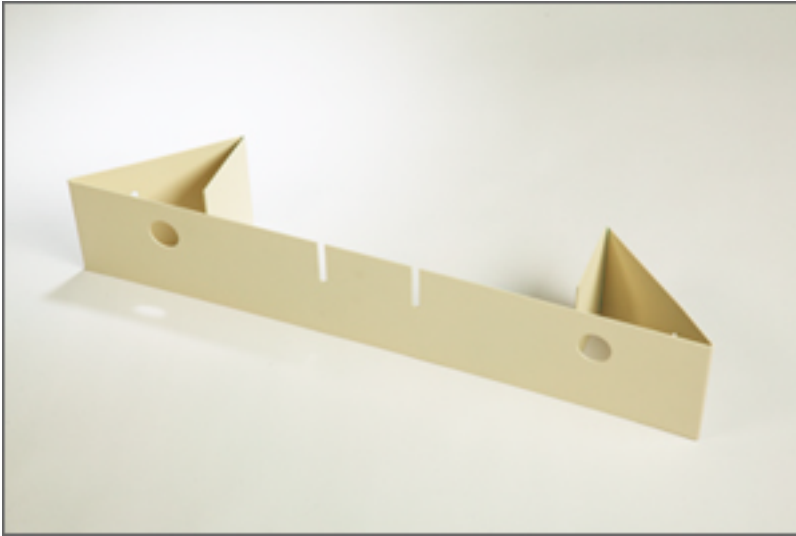
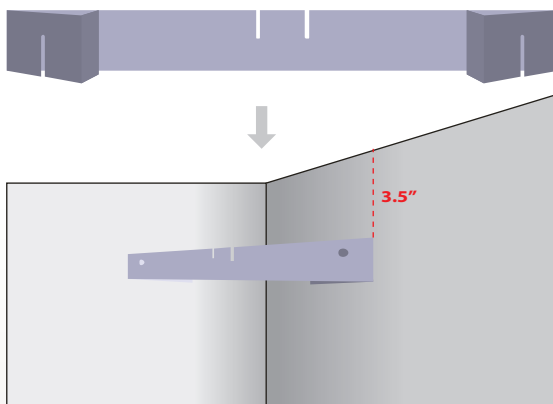


The RANCM - a crude tutorial



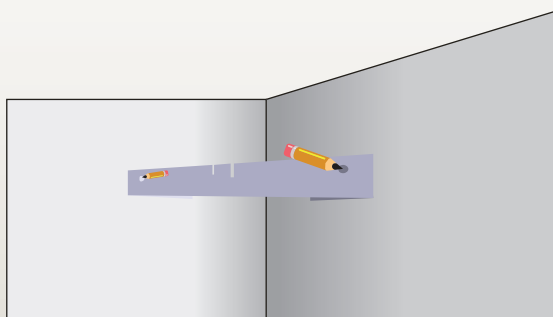
The Ready Acoustics Nested Corner Mount comes in pairs of units, with all necessary hardware

1



Hold the bracket in the corner with the slots on the face pointed upward. When using the RANCM to hang upholstered Ready Traps, place the top edge of the bracket about 3.5" below the level you want the top edge of the panel to be when mounted. When used with steel framed Chameleon panels place the RANCM about 1/2" below this level.

2

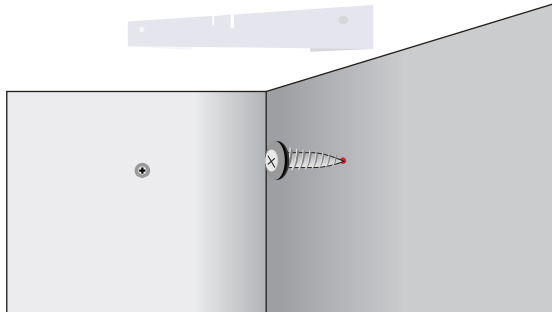


Mark the wall at the top of the slot against the wall on each side with a pencil.



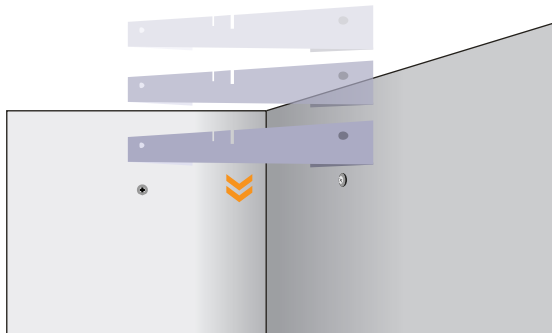
The RANCM - a crude tutorial

3

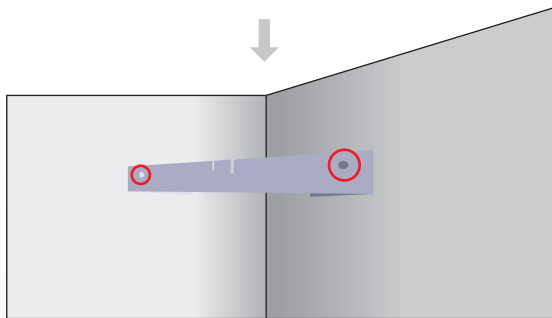


Set the RANCM aside and install the included screws at the spots you marked on the wall at the top of the mounting slots. Use the included hollow wall anchors or simply screw into the stud if you hit one. Leave the head of the screw about ¼" off the wall.

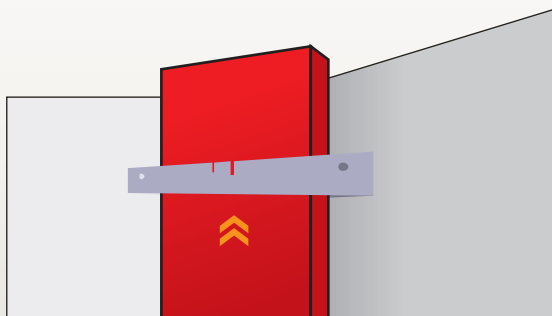
4



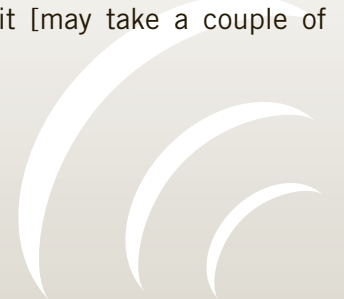
Slide the RANCM over the screw heads using the wall slots and pull the RANCM down until the screws head are at the top of the slot, then tighten them down while holding the bracket level (use the big round hole in the front to get your screwdriver at the screws)



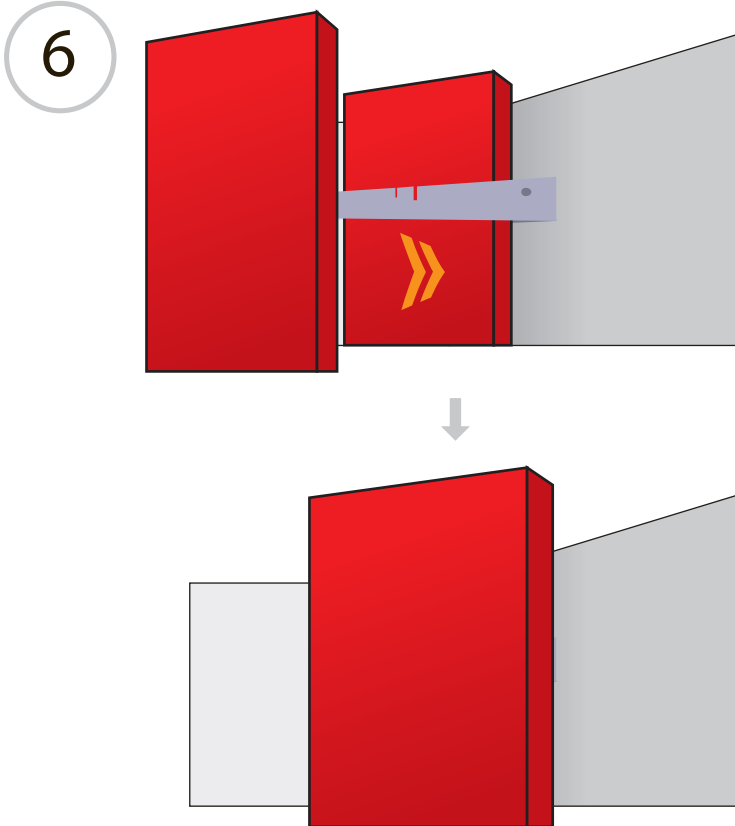
5



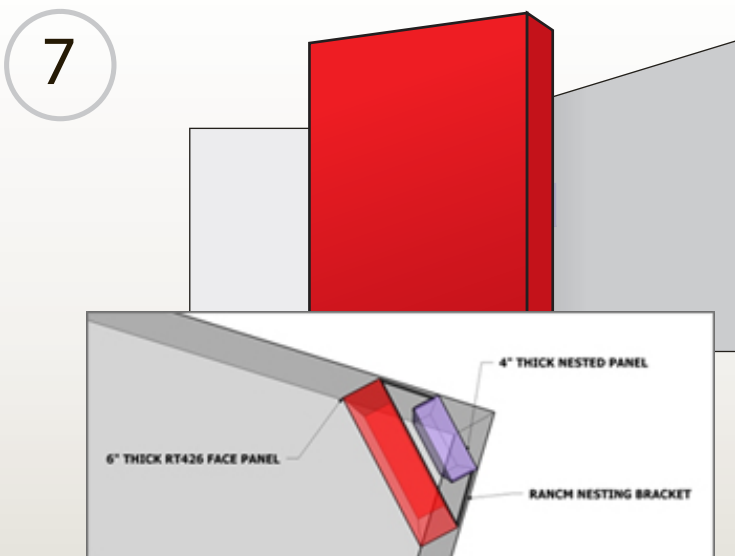
If you are assembling a complete NEST system, then slide the 12" wide nested panel between the wings [if you are using naked, un-upholstered panels, wrap some clear packing tape around the spot on the 12" panel where the wings grip to assure a tight friction fit [may take a couple of wraps].



The RANCM - a crude tutorial



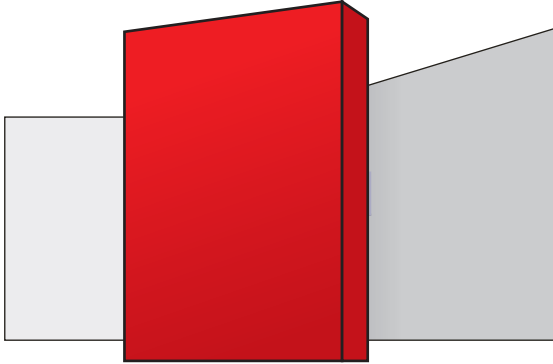
Finally, hang the 24" wide facing panel on the RANCM. If using an upholstered Ready Trap accomplish this by threading the integral straps through the slots on the face of the brackets. If using a steel framed Chameleon, DO NOT USE THE STRAPS, instead attach the panel by connecting the keyholes on the backside of the steel frame to the hanger slots using hanger wire and/or heavy duty cable ties [zip ties] and/or an elastic strap [bungee cord].



If you are installing two NEST System panels in a single corner [requires a minimum ceiling height of 8'], measure down from the upper nested panel and repeat the process of RANCM installation. You might need to have the lower nested panel in the RANCM when you go to mount it on the screws as there may not be enough room to slide it in once the RANCM is mounted. If you get a RANCM a little low you can raise it by loosening the screws and sliding the RANCM up a bit, and then re-tighten the screws. Finally, hang the second facing panel.

The RANCM - a crude tutorial

8



To install a NEST System in a ceiling/wall corner use two RANCM brackets and attach similarly as described above.

To install a NEST system in a floor/wall corner, not RANCM is typically required as you can simply put the panels on the floor, and then lean them against the wall.

